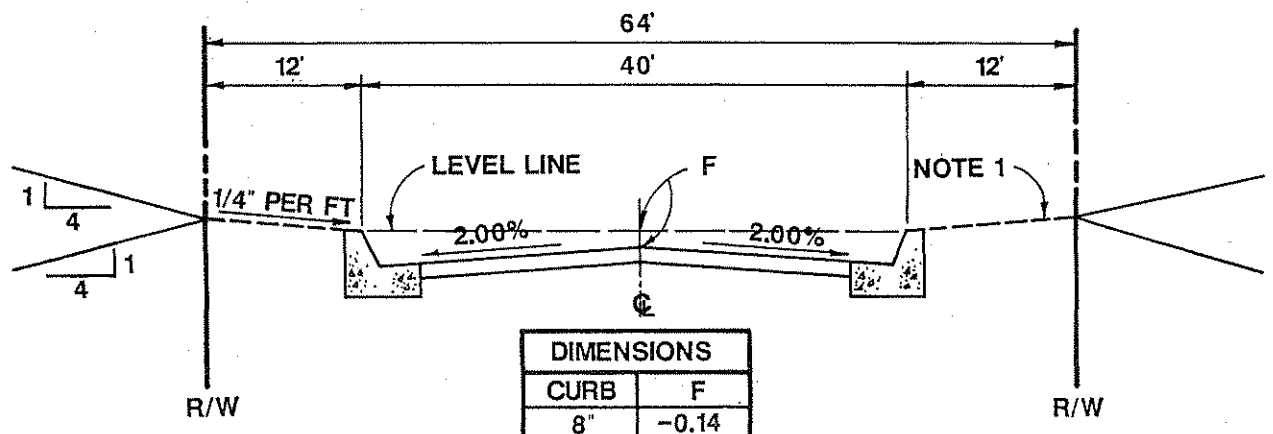


DIMENSIONS	
CURB	F
8"	-.18
6"	-.01

NOTES:

1. SEE STANDARD DRAWING NO. 115 FOR SIDEWALK DESIGNATIONS.
2. PAVEMENT THICKNESS & BASE REQUIREMENT TO BE DETERMINED BY SOIL ANALYSIS.
3. SEE STANDARD DRAWING NO. 104 FOR BASE DETAILS.

INTERIOR COLLECTOR & LOCAL STREETS



DIMENSIONS	
CURB	F
8"	-0.14
6"	+0.03

NOTES:

1. SEE STANDARD DRAWING NO. 115 FOR SIDEWALK DESIGNATIONS.
2. PAVEMENT THICKNESS & BASE REQUIREMENT TO BE DETERMINED BY SOILS ANALYSIS.
3. SEE STANDARD DRAWING NO. 104 FOR BASE DETAILS.

THROUGH COLLECTOR STREETS

CITY OF CARSON

<table border="1" style="width: 100%; height: 100%;"> <tr><td style="text-align: center;">REVISIONS</td></tr> <tr><td> </td></tr> <tr><td> </td></tr> <tr><td> </td></tr> <tr><td> </td></tr> </table>	REVISIONS					<p>INTERIOR COLLECTOR & LOCAL STREET, THROUGH COLLECTOR STREET SECTIONS</p> <p>RECOMMENDED: <i>W. Huber</i> APPROVED: <i>Herald C. Williams</i></p> <p style="text-align: center;">DIVISION ENGINEER DIRECTOR OF PUBLIC WORKS</p>	<p>DRAWN BY <i>R. Brown</i></p> <p>DATE APPROVED <u>2/2/87</u></p> <p style="font-size: 1.5em; font-weight: bold;">NO. 101</p>
REVISIONS							