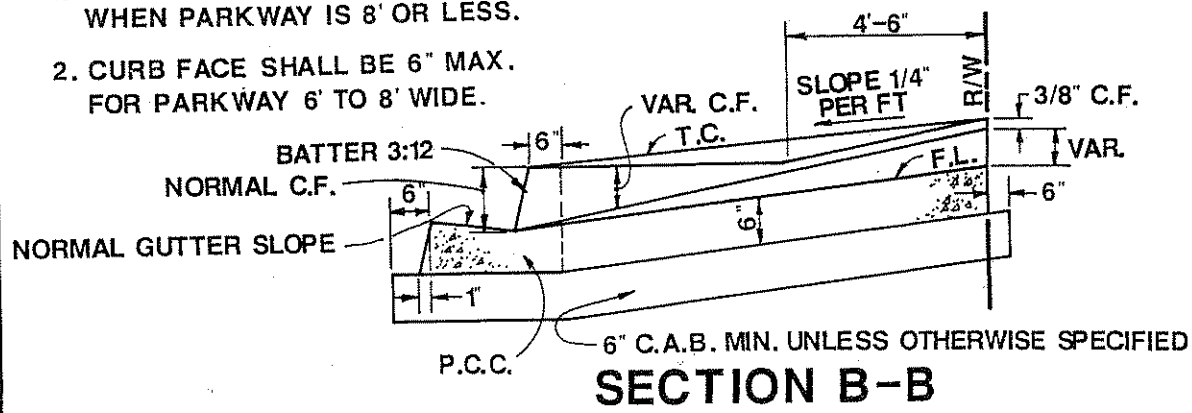


- NOTES:**
1. PLACE 6" P.C.C. WALK WHEN PARKWAY IS 8' OR LESS.
 2. CURB FACE SHALL BE 6" MAX. FOR PARKWAY 6' TO 8' WIDE.



CITY OF CARSON

ALLEY INTERSECTION

REVISIONS

RECOMMENDED: W. Haber APPROVED: Harold C. Williams
 DIVISION ENGINEER DIRECTOR OF PUBLIC WORKS

DRAWN BY: [Signature]
 DATE APPROVED: 2/2/87

NO. 114