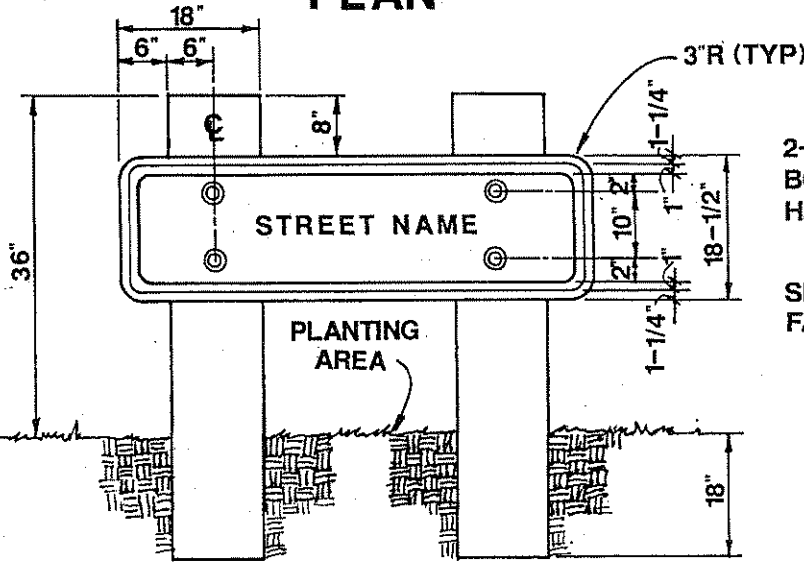
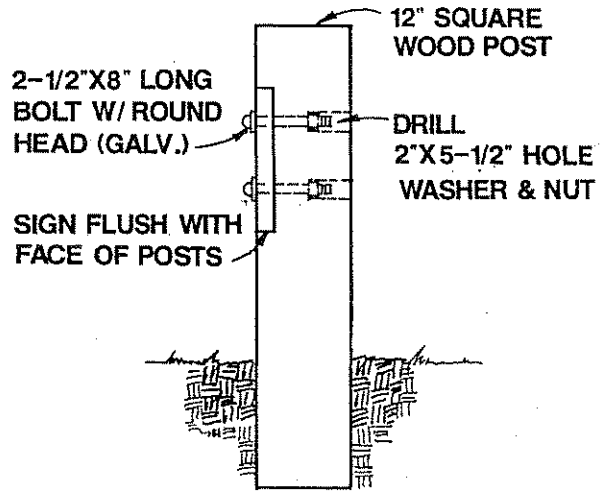


FACE OF SIGN  
**PLAN**



**ELEVATION**



**SECTION**

**NOTES:**

1. ALL ROUGH SAWN WOOD TO BE STAINED W/ OLYMPIC SEMI-TRANSPARENT STAIN # 712 OR APPROVED EQUAL.
2. ALL LETTERING TO BE "ROBERTA" TYPE STYLE.
3. RAISED BORDER & LETTERING TO BE PAINTED W/ 3M SCOTCH-LITE REFLECTIVE LIQUID, OR APPROVED EQUAL, COLOR: YELLOW.
4. SHOP DRAWING OF SIGN LAYOUTS TO BE SUBMITTED TO ENGINEER FOR APPROVAL.
5. PRESERVATIVES USED FOR WOOD IN CONTACT WITH GROUND SHALL BE LIMITED TO:
  - A. CREOSOTE OR CREOSOTE SOLUTIONS
  - B. PENTACHLOROPHENOL
  - C. AMMONIACAL COPPER ARSENATE
  - D. CHROMATED COPPER ARSENATE

**CITY OF CARSON**

REVISIONS

**MEDIAN SIGN**

DRAWN BY  
*[Signature]*  
DATE APPROVED  
2/2/87

RECOMMENDED: *[Signature]*  
DIVISION ENGINEER

APPROVED: *[Signature]*  
DIRECTOR OF PUBLIC WORKS

**NO. 202**