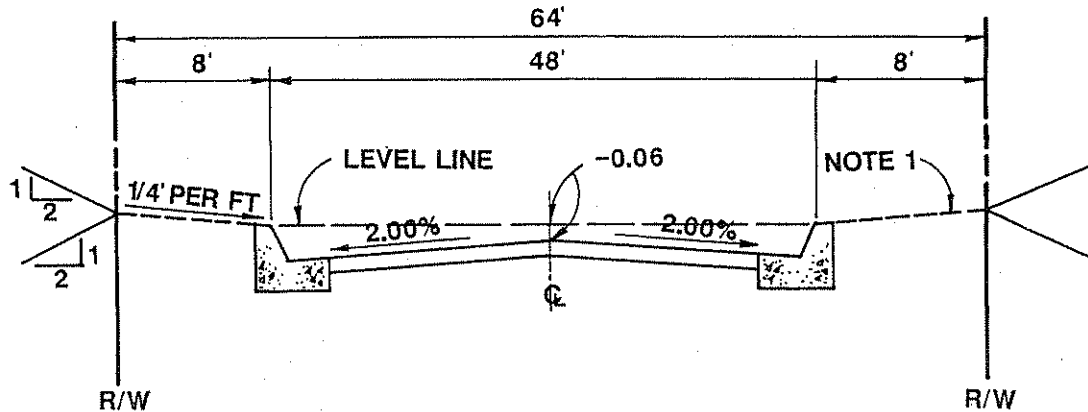


DIMENSIONS				
A	B	C	CURB	F
MAX 58'	40'	9'	8"	-0.14
			6"	+0.13
MAX 48'	36'	6'	8"	-0.13
			6"	-0.01

**NOTES:**

1. SEE STANDARD DRAWING NO. 115 FOR SIDEWALK DESIGNATIONS.
2. PAVEMENT THICKNESS & BASE REQUIREMENT TO BE DETERMINED BY SOILS ANALYSIS.
3. SEE STANDARD DRAWING NO. 104 FOR BASE DETAILS.

## EXISTING LOCAL STREETS



**NOTES:**

1. SEE STANDARD DRAWING NO. 115 FOR SIDEWALK DESIGNATIONS.
2. PAVEMENT THICKNESS & BASE REQUIREMENT TO BE DETERMINED BY SOILS ANALYSIS.
3. SEE STANDARD DRAWING NO. 104 FOR BASE DETAILS.

## INDUSTRIAL CUL-DE-SAC OR LOOP

### CITY OF CARSON

REVISIONS	<b>EXISTING LOCAL STREET, INDUSTRIAL CUL-DE-SAC OR LOOP SECTIONS</b>	DRAWN BY <i>[Signature]</i>
		DATE APPROVED 2/2/87
		RECOMMENDED: <i>[Signature]</i> APPROVED: <i>[Signature]</i>
		DIVISION ENGINEER      DIRECTOR OF PUBLIC WORKS
		<b>NO. 102</b>