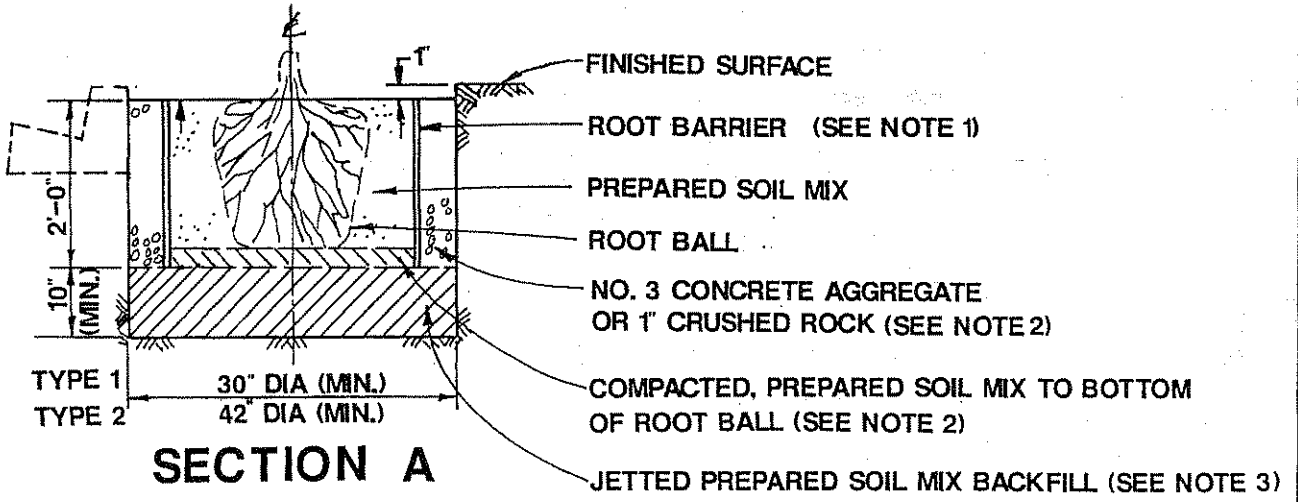


TYPE 1

TYPE 2



SECTION A

NOTES:

- 1 ROOT BARRIER SHALL BE FABRICATED FROM A HIGH DENSITY AND HIGH COMPACT PLASTIC SUCH AS POLYVINYL CHLORIDE, ABS OR POLYETHYLENE AND HAVE A MIN. THICKNESS OF 0.06 INCH. THE PLASTIC SHALL HAVE 1/2"-3/4" HIGH RAISED VERTICAL RIBS ON THE INNER SURFACE SPACED NOT MORE THAN 6"-8" APART.
- 2 THE LOWER 10" OF EXCAVATION SHALL BE BACKFILLED WITH PREPARED SOIL MIX AND JETTED PRIOR TO PLACING THE ROOT BARRIER AND THE NO. 3 CONCRETE AGGREGATE, OR 1" CRUSHED ROCK.
- 3 PREPARED SOIL MIX SHALL BE PLACED IN THE PLANTING HOLE AND COMPACTED TO BOTTOM OF ROOT BALL ELEVATION PRIOR TO PROCEEDING WITH TREE PLATING.

CITY OF CARSON

REVISIONS

TREE ROOT BARRIER

RECOMMENDED: *W. Harker* APPROVED: *Harold C. Williams*
 DIVISION ENGINEER DIRECTOR OF PUBLIC WORKS

DRAWN BY *[Signature]*
 DATE APPROVED 2/2/87
NO. 134

103619