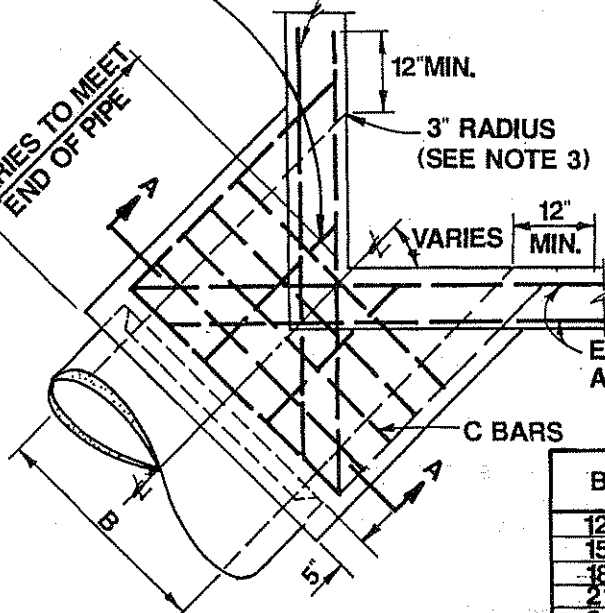


#4 AT 18" O.C. OR CLOSER

E BARS-2 ABOVE AND 2 BELOW OPENING

#4 AT 18" O.C. OR CLOSER

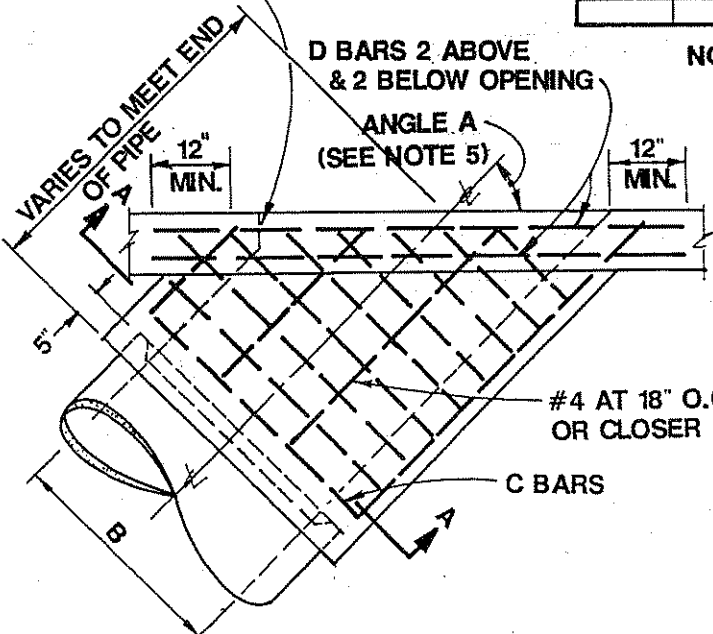
VARIES TO MEET END OF PIPE



PLAN

CORNER CONNECTION

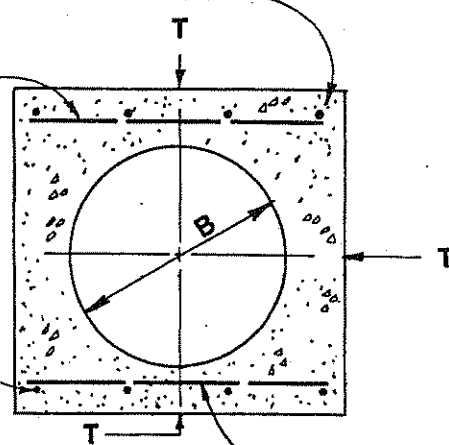
3" RADIUS (SEE NOTE 3)



PLAN

SIDE CONNECTION

C BARS



SECTION A-A

B	T	C BAR	D & E BAR	B	T	C BAR	D & E BAR
12"	4"			42"	7-1/2"		
15"	4-1/4"			45"	7-3/4"		
18"	4-1/2"			48"	8"		
21"	5"			51"	8-1/2"		
24"	5-1/4"			54"	9"		
27"			#5	57"	9-1/4"		
30"				60"	9-1/2"		
33"	6-1/4"	#4 AT 6" O.C.		63"	10"	#5 AT 6" O.C.	#6
36"	6-1/2"	#4		66"	10-1/4"	#5 AT 6" O.C.	
39"	7"			69"	10-1/2"		
				72"	11"		

NOTES:

1. REINFORCING STEEL SHALL BE 1-1/2" CLEAR FROM FACE OF CONCRETE UNLESS OTHERWISE SHOWN.
2. REINFORCING STEEL FOR INSIDE FACE OF CATCH BASIN WALL SHALL BE CUT AT CENTER OF OPENING AND BENT INTO WALLS OF MONOLITHIC CONNECTION. REINFORCING STEEL FOR OUTSIDE FACE OF CATCH BASIN WALL SHALL BE 2" CLEAR CUT OPENING.
3. CONNECTION SHALL BE POURED MONOLITHIC WITH CATCH BASIN. THE ROUNDED EDGE OUTLET SHALL BE CONSTRUCTED BY POURING CONCRETE AGAINST A CURVE FORM WITH A RADIUS OF 3".
4. FLOOR OF STRUCTURE SHALL BE STEEL TROWELED TO SPRING LINE.

5. CONNECTIONS SHALL BE CONSTRUCTED WHEN:
 - A. PIPES 12" THROUGH 72" IN DIA., INLET OR OUTLET THROUGH CORNER OF CATCH BASIN.
 - B. ANGLE A, FOR PIPES 24" THROUGH 30" IN DIA., IS 70° OR LESS.
 - C. PIPES, 15" THROUGH 72" IN DIA., INLET OR OUTLET THROUGH ANY WALL CATCH BASIN IF THE CONNECTOR PIPE DOES NOT EXTEND TO THE WALL PER THE APPLICABLE CATCH BASIN STANDARD.

CITY OF CARSON

REVISIONS

CONNECTION TO CATCH BASIN

DRAWN BY

DATE APPROVED

2/2/87

RECOMMENDED: *W. Huber*
DIVISION ENGINEER

APPROVED: *Harold G. Williams*
DIRECTOR OF PUBLIC WORKS

NO. 302